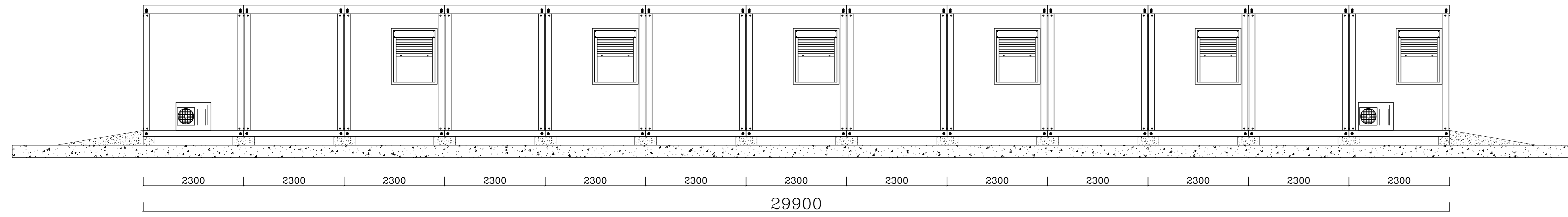
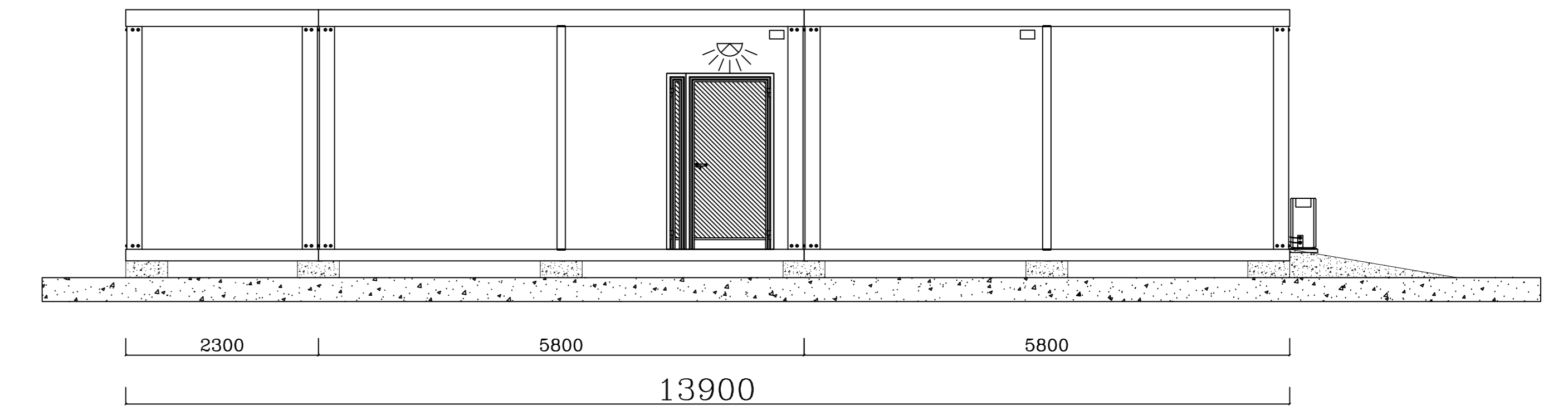


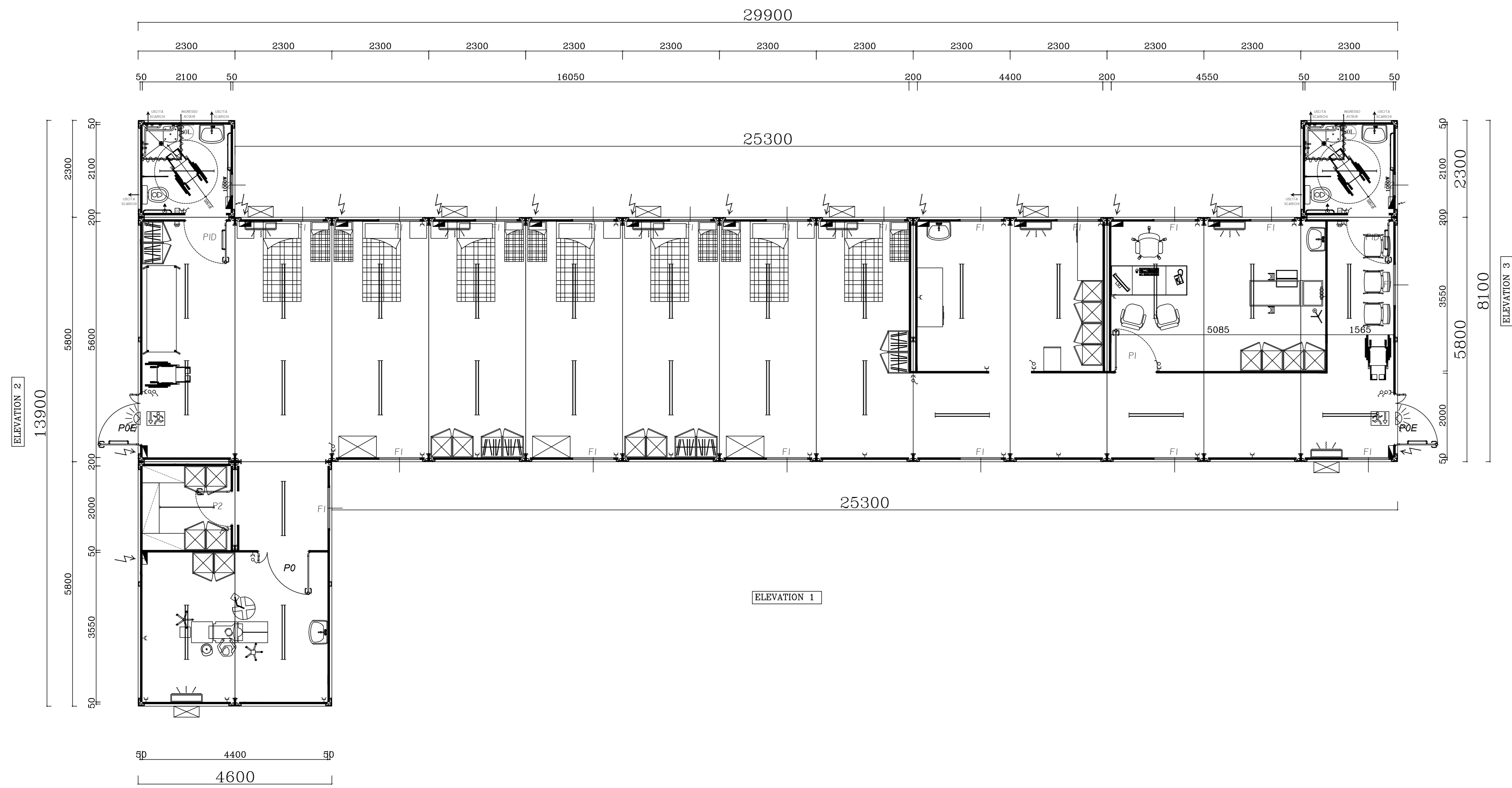
VIEW 1



VIEW 2



GENERAL PLAN VIEW



VIEW 3

